

# IPU/SmartNIC

# Accelerate Applications on the Wire

Tom Spencer

Business development

Intel Corporation

October 19, 2023



# IPU/SmartNIC – Accelerate Applications on the Wire

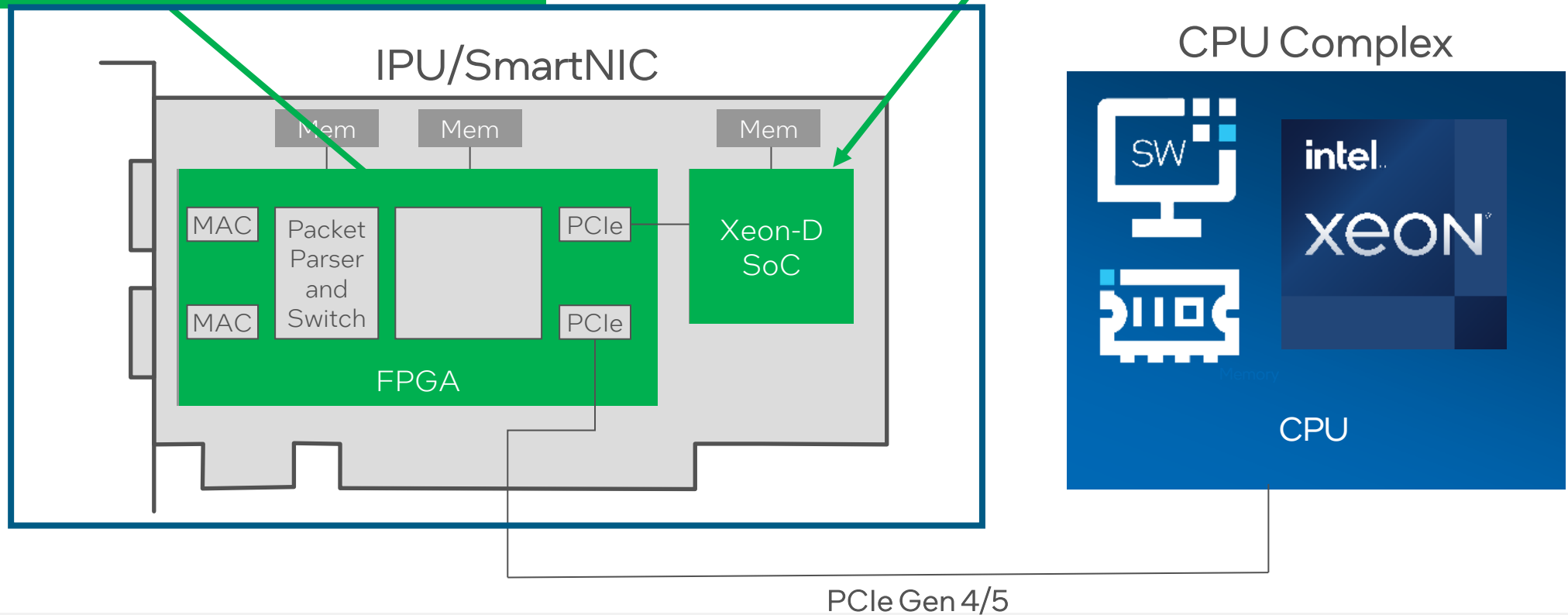
## HW and SW Programmable

- Complete network stack processing
- 5 tuple parser
- Packet switch
- Optional sub-Tus latency
- Embedded compute acceleration

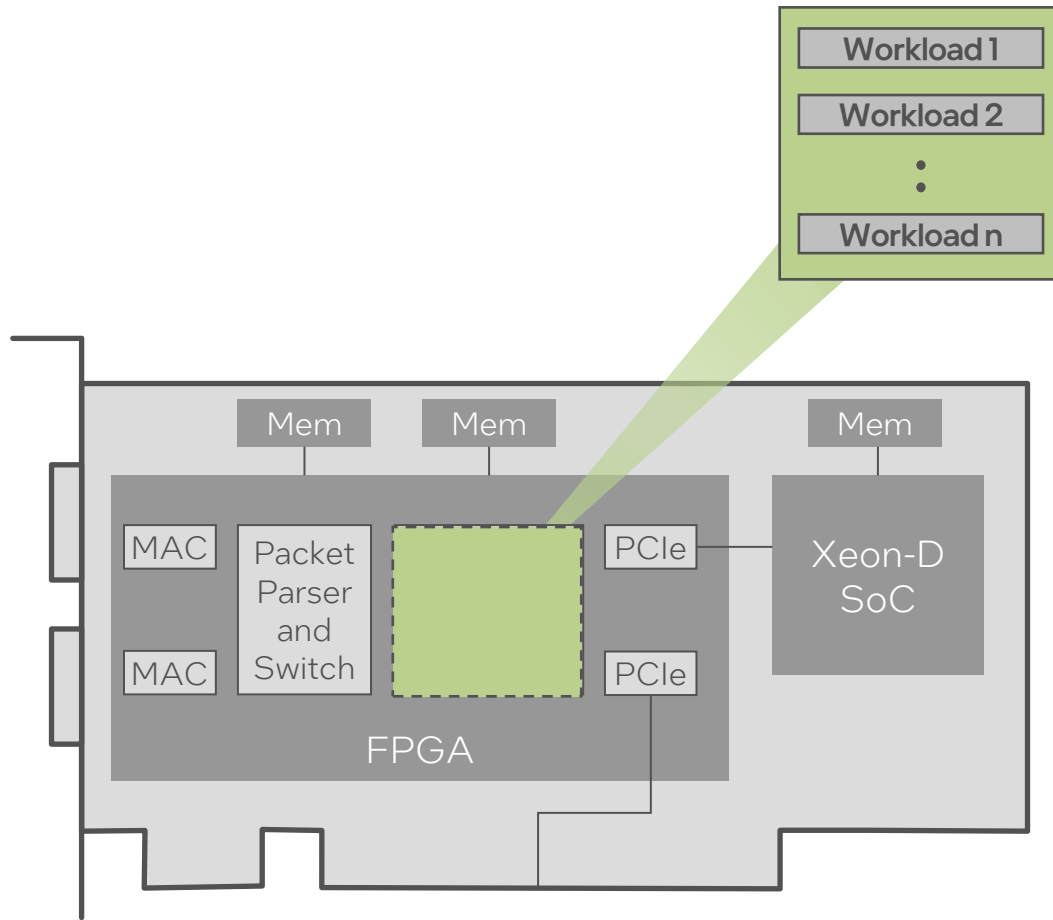
## x86 Processor

- Local OS
- Eases app migration from host

## Acceleration on the Wire



# Acceleration Workloads



## Protocols

- TCP/IP, RoCEv2, VxLAN, Geneve, NVGRE

## Network Switching/Routing

- Data plane: OvS, P4
- Analytics: Network Analytics (AI)

## Security

- Encryption: TLS, KTLS, IPsec, MACSec
- Firewall → ACLs
- DDoS Mitigation

## Storage

- NVMe Tunnel, NVMe-oF TCP, NVMe-oF RoCEv2, Erasure Coding, Compression

## AI/ML

- xPU Interconnect
- ML/DL → LSTM, LLM

## Big Data

- Arrow/Arrow Flight

# Application Workloads Examples

## Myrtle.ai: LSTM – Extreme Performance



- Time series analytics
- No host intervention
- VOLLO includes LSTM and Attention layers
- Proven STAC-ML benchmark data
- 48 parallel models in 1U server
- Inference leverages bfloat16 format
- PyTorch, TensorFlow, ONNX

## SigmaX.ai – Big Data



- Pre-processing for AI/ML
- No host intervention
- Inline Transforms/functions
- Ingest, reformat, classify (**Arrow**) and transport (**Arrow Flight**)
- Significant latency reduction

# Thank You