



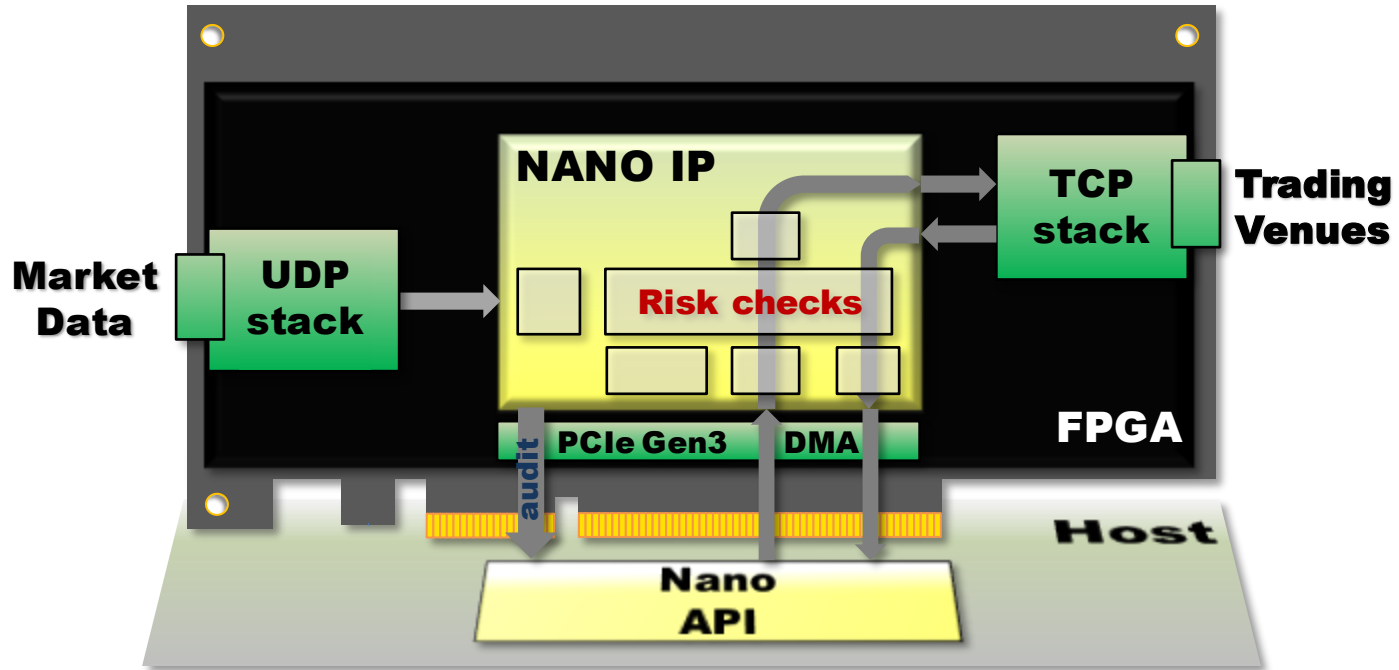
*“ Breaking all benchmarks ”  
in our hyper connected world*

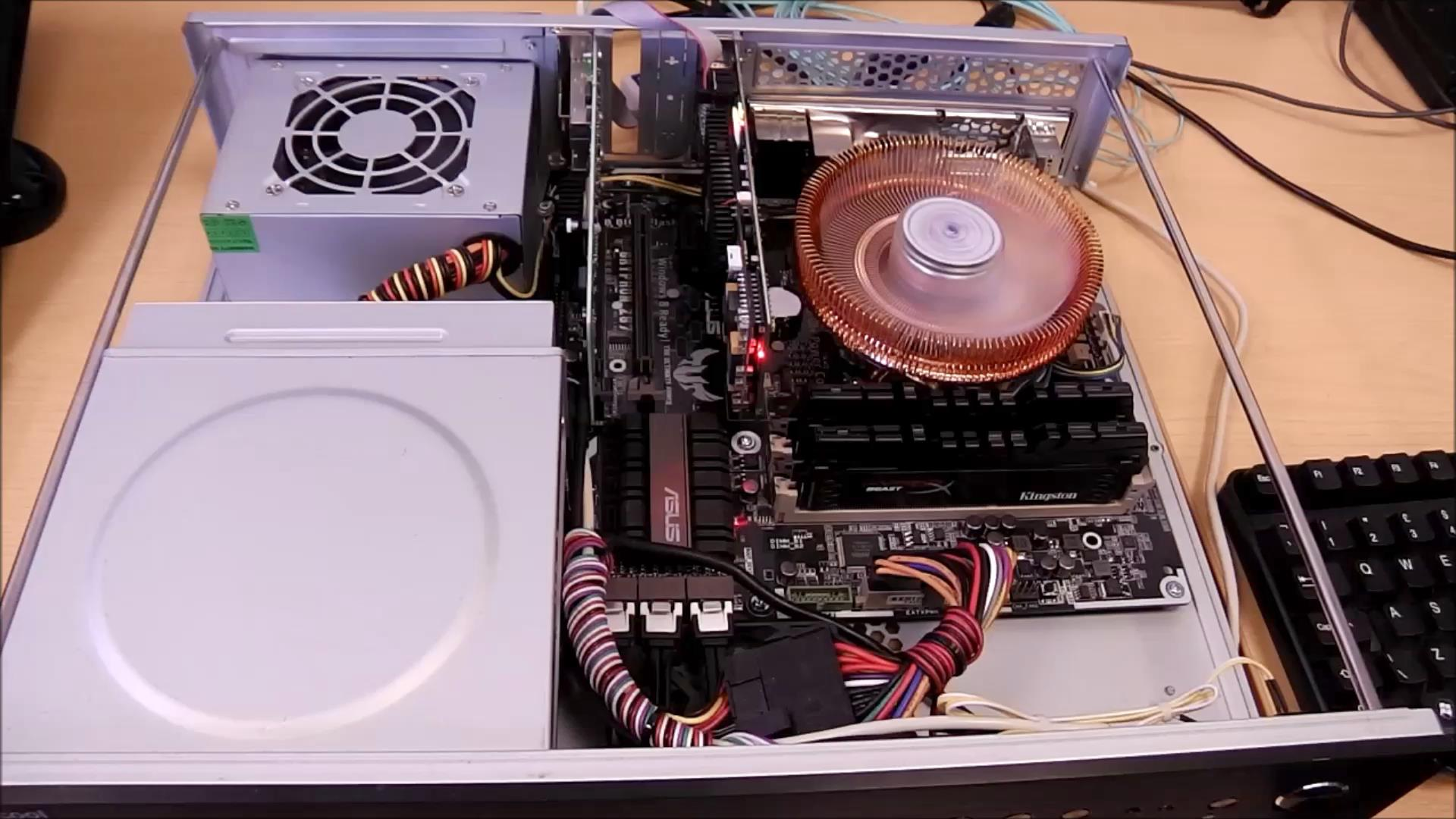
# Recognise this?



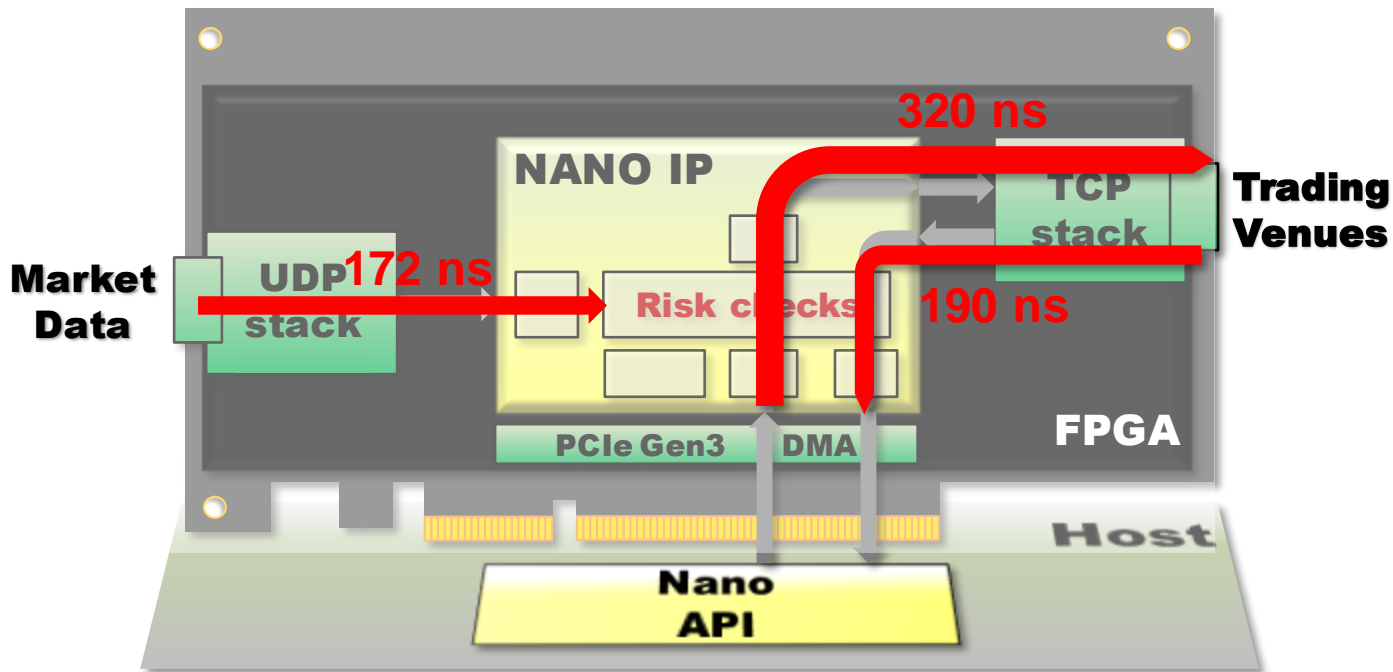
# Our X-Plane..

## NanoSpeed FPGA Trading Gateway





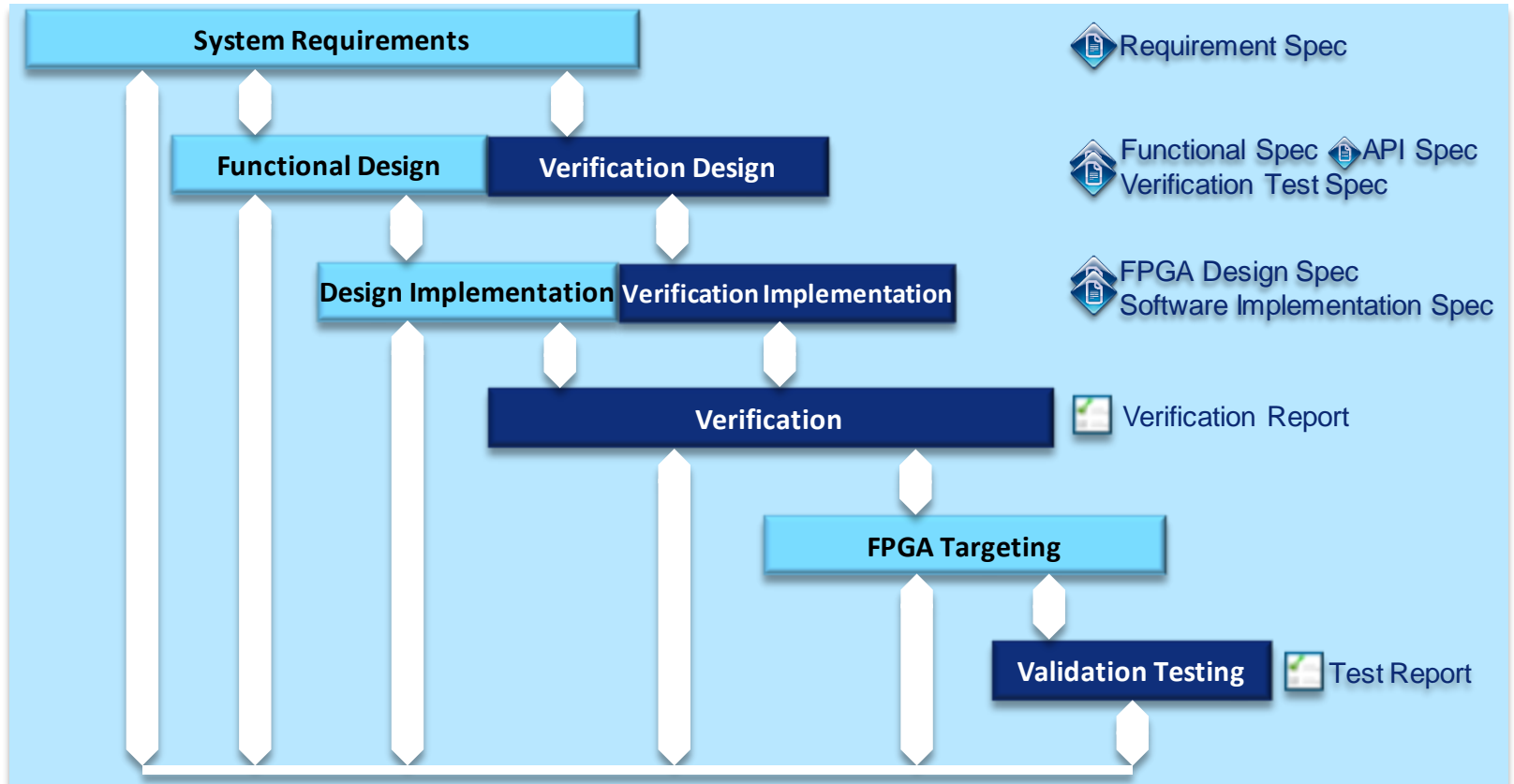
# Nano-TG Summary of Latencies



# Nano-TG Features Summary

- ❖ Risk Management
- ❖ Multiple Markets:
  - ❖ Nasdaq, CME, EBS, FIX, bespoke
- ❖ Trade on multiple venues at a time
- ❖ Sub-microsecond host-to-wire trades / market data to host
- ❖ Sub-500ns wire-to-wire
- ❖ 99.8% deterministic performance
- ❖ Aerospace-grade reliability

# NanoSpeed Development flow



# Contact Us

## Nanospeed Technologies Limited

Devonshire House

Manor Way

Borehamwood

London

WD6 1QQ

UK

 +44 207 096 0421

 [info@nanospeed.co.uk](mailto:info@nanospeed.co.uk)





