



Apcon Latency Monitoring Solutions for Financial Trading Markets

Jerry Eschweiler – Regional Sales Manager
jerrye@apcon.com
847-626-4916

Brian Guilfooy – Senior Systems Engineer

November 4 , 2013
apcon.com

Global Leader

- **1st Matrix Switch Company** in the Network Monitoring space
- **1st to provide** multi-switch management solution
- **1st to achieve** sub 10ns time stamping accuracy
- **Industry's ONLY** multi stage filtering technique

Financially Stable

- Privately held
- Year-over-year revenue growth
- Established 1993 in Portland, OR

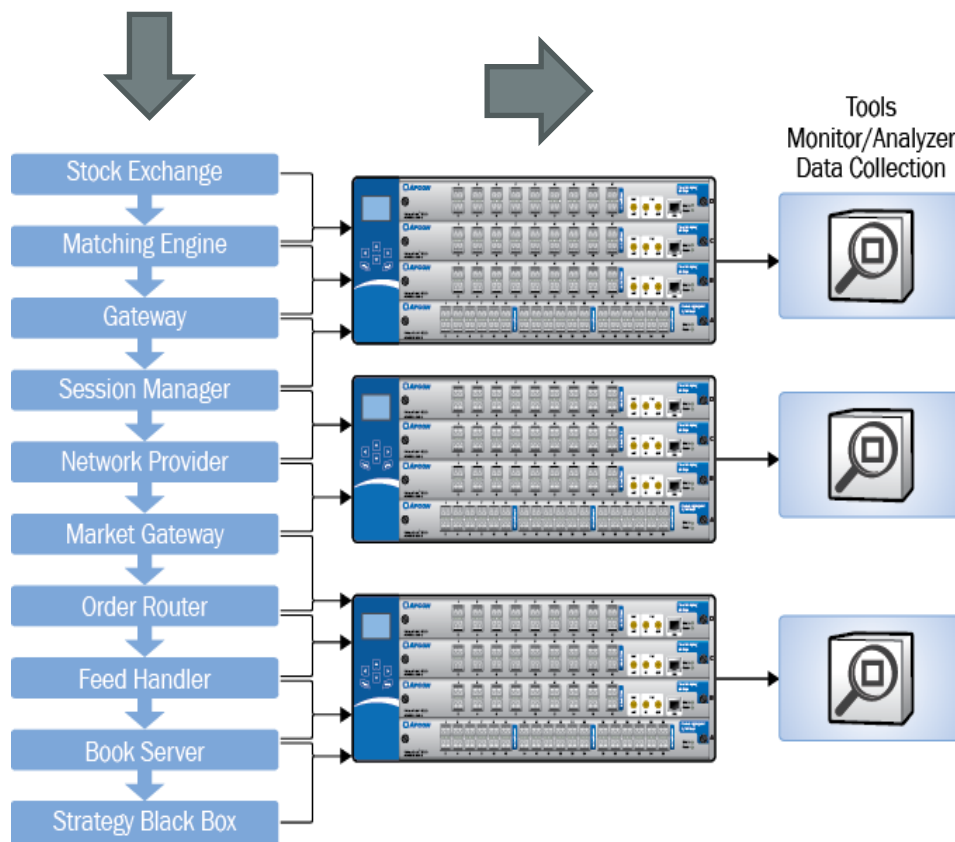
Full In-House Control

- Corporate headquarters and manufacturing based in Portland, OR
- World Class Manufacturing Operations
- Design, FAB, Production, Test, Deployment, Services 100% in house



Solution: Time Stamping

- Packets stamped at each action capture point
- Aggregated and routed to measuring tool
- Easily identify bottle necks and slow-downs
- Provide proof of QOS



INTELLAFLEX ACI-3032-E36-1



- Overview
 - 36 1/10G ports
 - Native aggregation/filtering
 - Ingress port tagging
- Time Stamping
 - Software defined inputs/outputs
 - Sub 10ns Resolution
 - GPS/PPS timing source
 - NTP & PTP Support



- HA Architecture
- Highest scalability: 288 ports in 8RU
- Compatible with 1/2/4/8U APCON Chassis

***** Highest Capacity Time Stamping Blade Available in the Market*****

- Full suite of aggregation/filtering options
 - Multi-stage filtering, port tagging, load balancing
- 4th generation, easy to use management & GUI
 - WebX & Titan
- High availability architecture
 - Swappable components
 - control/data plane separation
- Industry leading time stamping accuracy / precision
 - sub 10ns accuracy
- Compatible with network latency test software partners
 - Corvil, TS-Associates (Correlix / Tip Off), Velocimetrics, Wild Packets



CHECK THE BOX:

If you would like additional information on our solutions, please don't forget to check the APCON box on your response card.

Thank You

Jerry Eschweiler – Regional Sales Manager
jerrye@apcon.com
847-626-4916

Brian Guilfooy – Senior Systems Engineer

November 4 , 2013
apcon.com